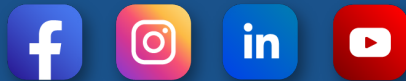


THE SEARIAL CLEANERS

STOP WONDERING START CLEANING

Technology at the service of change

Join the community
#iamasearialcleaner
searial-cleaners.com



Our Philosophy

Collecting waste is no longer an option. It's an essential and fundamental civic act that transforms mindsets and practices.

We firmly believe in technology that contributes to transition, hand in hand with everyone who is committed to making a difference on the ground every day - improving waste collection so that tomorrow, we no longer need to clean but simply protect.

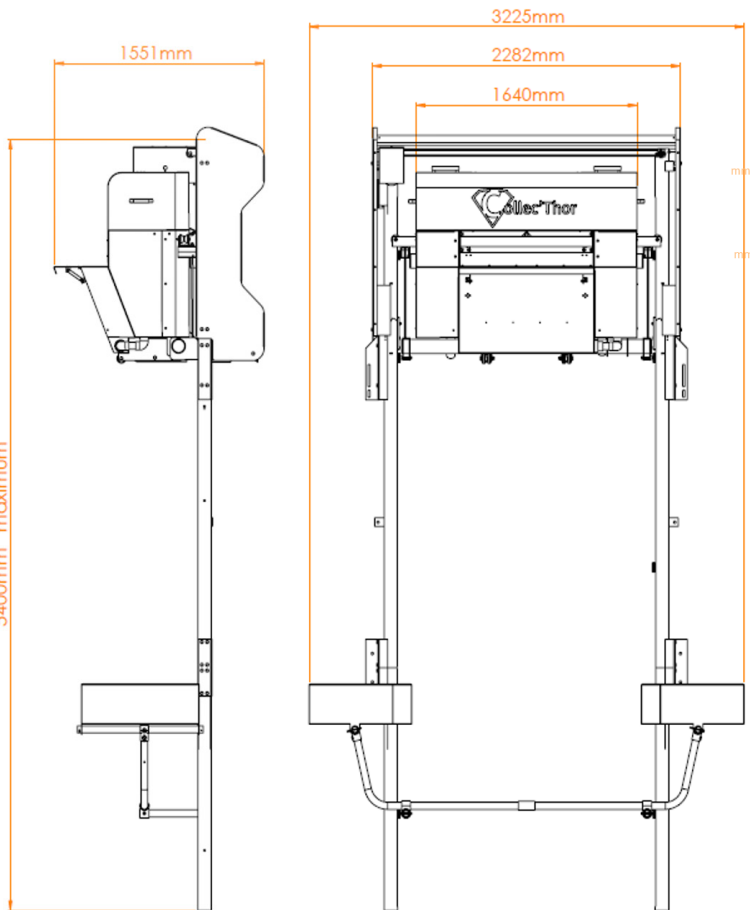
Let's join forces and make a difference.



Collec'Thor

TRASH SKIMMER

FIXED QUAY



TECHNICAL SPECIFICATIONS

Pump power	750 Watts
Pump flow	32 000 l/h
Tank collection capacity	320 liters
Material	Aluminium 5754
Self-floating	Adapts to changing water levels

REQUIRED SITE CONDITIONS

Install on fixed quays pontoons
Maximum wave height in the marina : 0,3 m / 11,8 in
There is a minimum 1,5 m / 59 in of draught on the lowest astronomical tide
Freeboard range : 200 to 3000 mm / 7,9 to 118 in
Maximum water current speed : 1,5 knots
Weight of the set with the lifting structure: 260Kg,/ 529 lbs

ACCESSORIES & OPTIONS

Oil pads
Fixed quay
Mobile pontoon

CONTACT

Email : contact@searial-cleaners.com