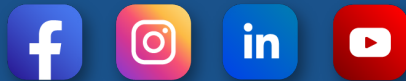


# THE SEARIAL CLEANERS

STOP WONDERING START CLEANING

## *Technology at the service of change*

Join the community  
*#iamasearialcleaner*  
searial-cleaners.com



**Collecting waste is no longer an option.** It's an essential and fundamental civic act that transforms mindsets and practices.

We firmly believe in technology that contributes to transition, hand in hand with everyone who is committed to making a difference on the ground every day – improving waste collection so that tomorrow, we no longer need to clean but simply protect.

**Let's join forces and make a difference.**

# Collec'Thor

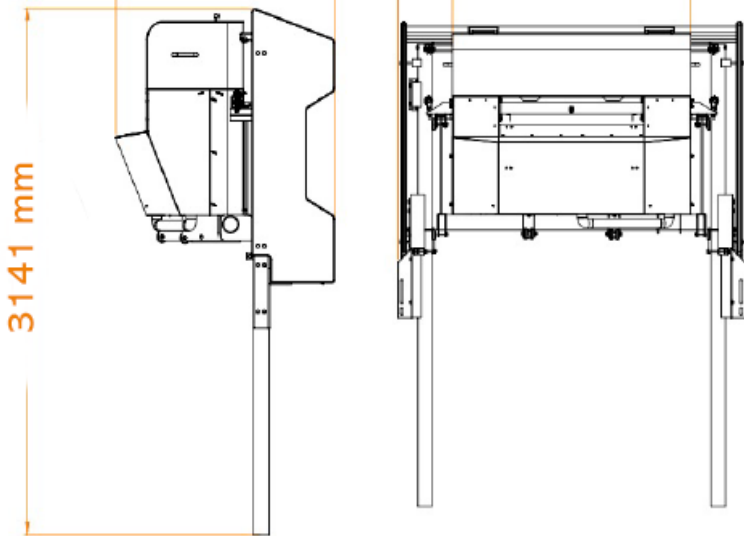
FIXED WASTE COLLECTOR



1381 mm

2392 mm

1640 mm



## TECHNICAL SPECIFICATIONS

Pump power	750 Watts
Pump flow	32 000 l/h
Tank collection capacity	320 litres
Material	Brackets and tank in Aluminium 5754

## MANDATORY CONDITIONS INSTALLATION AND USE

Install on floating pontoons  
Maximum permissible chop height : 0,30 m  
Maximum permissible wave height : 0,30 m  
Minimum depth at low tide : 1,5 m  
Freeboard range : between 320 and 820 mm  
Maximum current speed : 1,5 knots  
Weight of the set with the lifting structure: 240Kg / 529 lbs

## ACCESSORIES & OPTIONS

Oil pads  
Fixed quay  
Mobile pontoon

## CONTACT

[contact@searial-cleaners.com](mailto:contact@searial-cleaners.com)